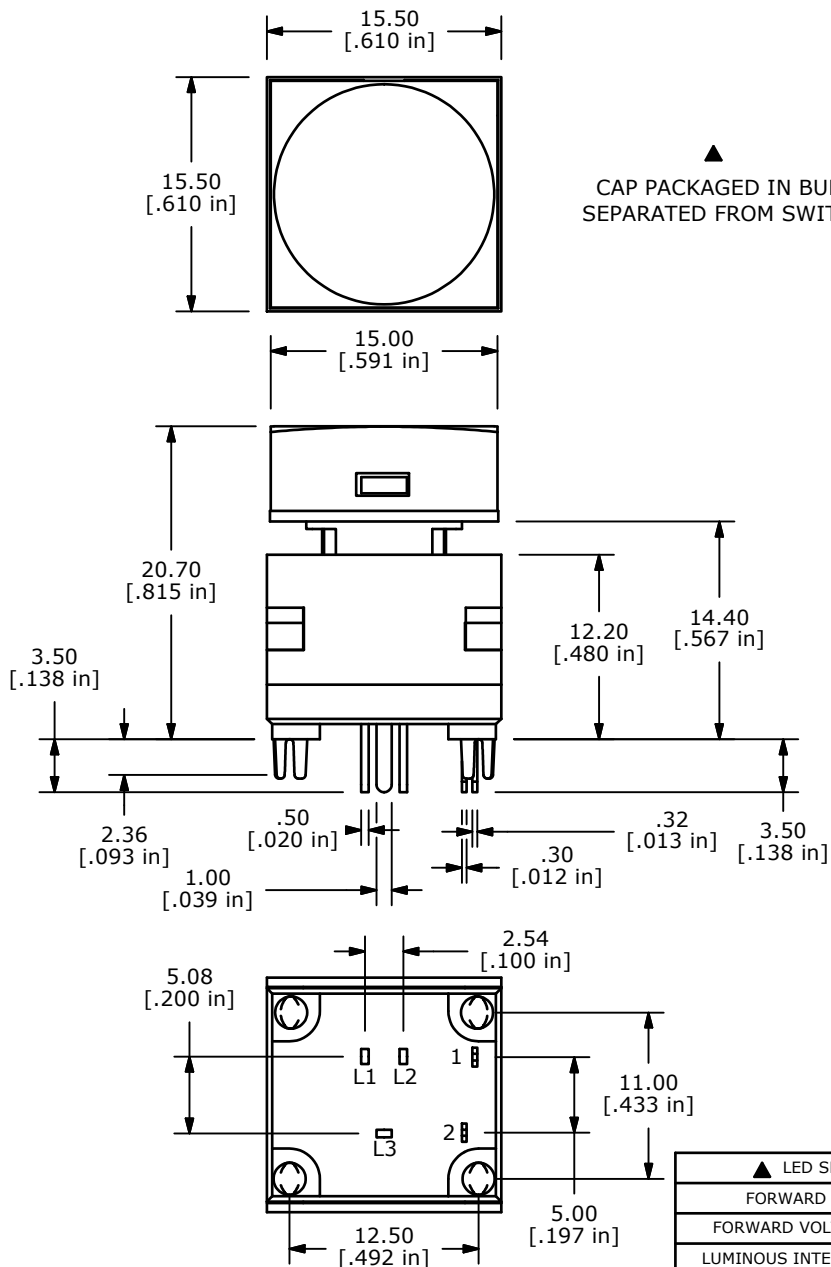


- NOTES:
1. ALL DIMENSIONS IN MM [INCH]
 2. GENERAL TOLERANCE: X.X=±0.4
X.XX=±0.25
 3. TERM. NOS. FOR REFERENCE ONLY.
 4. RATING: 12VDC, 12mA; SPST
 5. CONTACT MATERIAL: GOLD
 6. CONTACT RESISTANCE: 50 MILLI-OHM MAX.
 7. INSULATION RESISTANCE: 500VDC, 100 MEGA-OHM MIN.
 - ▲8. OPERATING FORCE: 150±100GF
 9. OPERATING LIFE: 200,000 CYCLES
 10. OPERATING TEMP: -20°C TO +70°C
 - ▲11. LED COLORS: GREEN, BLUE
 12. TRAVEL: 2.20mm±0.20
 13. 2002/95/EC (ROHS) COMPLIANT
 14. ▲DENOTES CRITICAL PARAMETER.



▲
CAP PACKAGED IN BULK
SEPARATED FROM SWITCH

▲ LED SPECS	UNITS	BLUE	GREEN
FORWARD CURRENT	mA	25	25
FORWARD VOLTAGE @20mA	VDC	3.3	2.0
LUMINOUS INTENSITY @ 10mA	mcd	585	412



TITLE LP60A1ASGBCAPBULK

A	20099	New Release	8/16/11	BGL
REV	PCR NO	DESCRIPTION	DATE	BY

SCALE	DATE	DR	DWG	REV
2 : 1	8/16/2011	BGL	B220012	A

THE INFORMATION CONTAINED IN THIS DOCUMENT IS PROPRIETARY TO E-SWITCH AND IS NOT TO BE COPIED OR TRANSFERRED